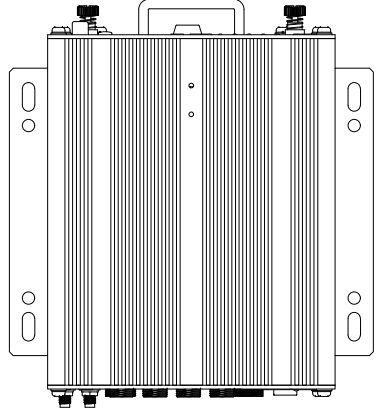
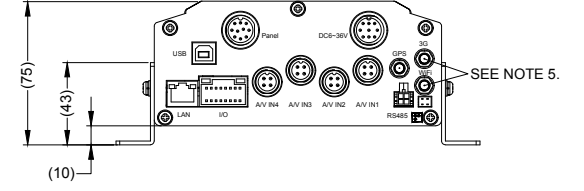
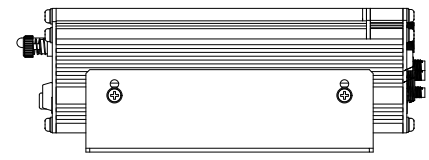
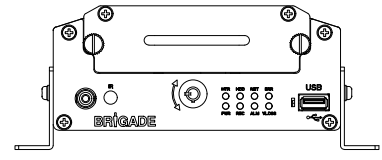
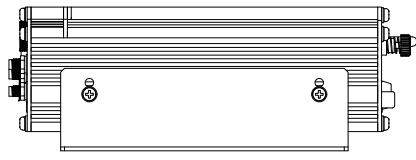
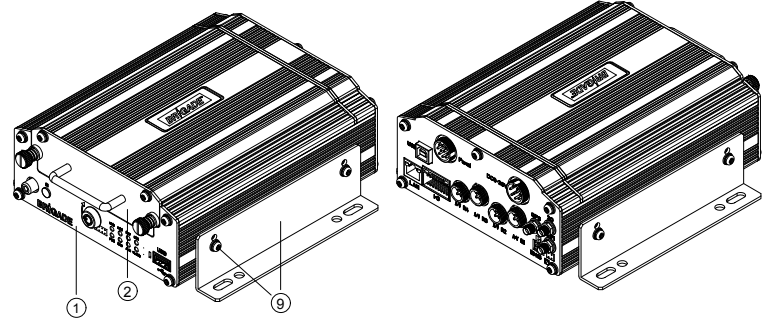


Revision Notes.				
-				
APA: -	Drawn:-	Checked:-	Approved:-	Date: -



ITEM	PART NUMBER	QTY	MODEL NUMBER	DESCRIPTION
(1)	4887	1	MDR-404-DS	MAIN RECORDER UNIT GPS AND 32GB SD CARD
(2)	4888	1	MDR-404-500-MCU	HDD CADDY AND 500GB HDD
(3)	4881	1	MDR-404-TRIG	MDR 404 16-PIN TRIGGER CABLE LOOM (NOT SHOWN)
(4)	4878	1	MDR-400-PC	MDR 400 SERIES 9-PIN POWER CABLE (NOT SHOWN)
(5)	4879	1	MDR-400-VOC	MDR 400 SERIES 10 TO 4 PIN VIDEO OUTPUT CABLE (NOT SHOWN)
(6)	4883	1	MDR-400-GPS	MDR 400 SERIES GPS ANTENNA (NOT SHOWN)
(7)	4884	1	MDR-400-USB-B	MDR 400 SERIES USB A TO B CABLE (NOT SHOWN)
(8)	4891	1	MDR-400-KEY	SECURITY KEY (NOT SHOWN)
(9)	4892	2	MDR-400-BKT	BRACKET WITH 4X M4x8 FIXING SCREWS
(10)	4893	1	MDR-400-RC	REMOTE CONTROL WITH 2xAAA BATTERIES (NOT SHOWN)
(11)	4894	1	MDR-400-IG	INSTALLATION GUIDE (NOT SHOWN)
(12)	4895	1	MDR-400-CD	INSTALLATION CD (NOT SHOWN)

- NOTES:**
- REFERENCE INSTRUCTION MANUAL FOR FUNCTIONALITY.
 - FOR PRODUCT LABEL REFER TO LATEST REVISION OF DRAWING: BE-003110-XX-15.
 - FOR SERIAL NUMBER LABEL REFER TO LATEST REVISION OF DRAWING: BE-003112-XX-15.
 - ANY CUSTOMER MODIFICATION OF THIS PRODUCT CAUSING SUBSEQUENT FAILURE IS NOT A LIABILITY OF BRIGADE ELECTRONICS GROUP PLC.
 - 3G AND WIFI CAPABILITIES DEPEND ON MODEL AND AVAILABILITY.
 - FIXING SCREWS SUPPLIED IN CLEAR PLASTIC BAG.
 - FOR BRIGADE LOGO SEE BRIGADE-LARGE-LOGO STICKER 55185-4526(01.10.05.218)-V1.0.

PROPRIETARY NOTICE
 THIS DESIGN AND TECHNICAL INFORMATION APPEARING ON THIS DRAWING IS THE PROPERTY OF BRIGADE ELECTRONICS, AND IS DISCLOSED IN CONFIDENCE. IT IS NOT TO BE COPIED, REPRODUCED, REVEALED TO OR EXPROPRIATED BY OTHERS, EITHER IN WHOLE OR IN PART WITHOUT THE EXPRESS WRITTEN CONSENT OF BRIGADE ELECTRONICS.



Assembly Pl Approval P.YANG	Approved by B.JOHN	Checked by R.BATES	Drawn by L.PILAY
Angle of Projection 	Units mm	Scale N/A	Released 21/07/15
	Status RELEASED	MDR-404-500	
	Part No 4868	BE-003091-00-15	